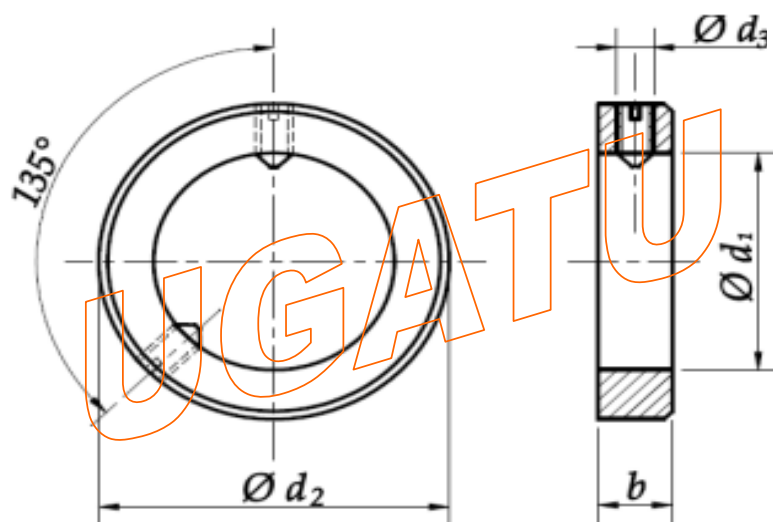


C/ Tellería, 9
20570 Bergara (Gipuzkoa)
Telf: 943-769823 / Fax: 943-769824

FICHA TÉCNICA

ARANDELA DIN 705-A



CONDICIONES TÉCNICAS DE SUMINISTRO

Material		Steel	Stainless steel	Non-ferrous metals
General requirements	Norma Standard	ISO 13715		
	Tolerance	6H		
Thread	Norma Standard	ISO 965-1 ISO 262		
	Property class	free-cutting steel	A1	CU3
Mechanical properties	Hardness	110HV – 175HV	140HV – 240HV	
	Norma Standard	DIN EN 10087	DIN EN 10088-3	DIN EN 28839
Finish and/or coating		Plain/oil Requirements for electroplating are covered in ISO 4042	Plain	Plain Requirements for electroplating are covered in ISO 4042
Acceptability		For acceptance procedure, see ISO 3269		

DIMENSIONES

$\varnothing d_1$ H8	2	2,5	3	3,5*	4	4,5*	5	5,5*	6	7*
b js14	3,5	4	5	5	5	6	6	6	8	8
$\varnothing d_2$ h13	6	7	7	8	8	10	10	12	12	12
$\varnothing d_3$	M2	M2	M2	M2,5	M2,5	M3	M3	M4	M4	M4
Set screws	M2x3	M2x3	M2x3	M2,5x3	M2,5x3	M3x4	M3x4	M4x5	M4x5	M4x5

$\varnothing d_1$ H8	8	10	12	14	15*	16	18	20	22	24*
b js14	8	10	12	12	12	12	14	14	14	16
$\varnothing d_2$ h13	16	20	22	25	25	28	32	32	36	40
$\varnothing d_3$	M4	M5	M6	M6	M6	M6	M6	M6	M6	M8
Set screws	M4x6	M5x8	M6x8	M6x8	M6x8	M6x8	M6x8	M6x8	M6x10	M8x12

$\varnothing d_1$ H8	25	26*	28*	30	32	35*	36	40	45	50
b js14	16	16	16	16	16	16	16	18	18	18
$\varnothing d_2$ h13	40	40	45	45	50	56	56	63	70	80
$\varnothing d_3$	M8	M8	M8	M8	M8	M8	M8	M10	M10	M10
Set screws	M8x10	M8x10	M8x12	M8x10	M8x12	M8x12	M8x12	M10x16	M10x16	M10x16

$\varnothing d_1$ H8	55*	56	60*	63	65*	70	75*	80	85	90
b js14	18	18	20	20	20	20	22	22	22	22
$\varnothing d_2$ h13	80	80	90	90	100	100	110	110	125	125
$\varnothing d_3$	M10	M10	M10	M10	M10	M10	M12	M12	M12	M12
Set screws	M10x16	M10x16	M10x16	M10x16	M10x20	M10x20	M12x20	M12x20	M12x25	M12x20

$\varnothing d_1$ H8	100	110	120*	125	140	150*	160	180	200
b js14	25	25	25	28	28	28	32	32	32
$\varnothing d_2$ h13	140	160	160	180	200	200	220	250	280
$\varnothing d_3$	M12	M12	M12	M16	M16	M16	M20	M20	M20
Set screws	M12x25	M12x30	M12x25	M16x35	M16x35	M16x30	M20x35	M20x40	M20x45