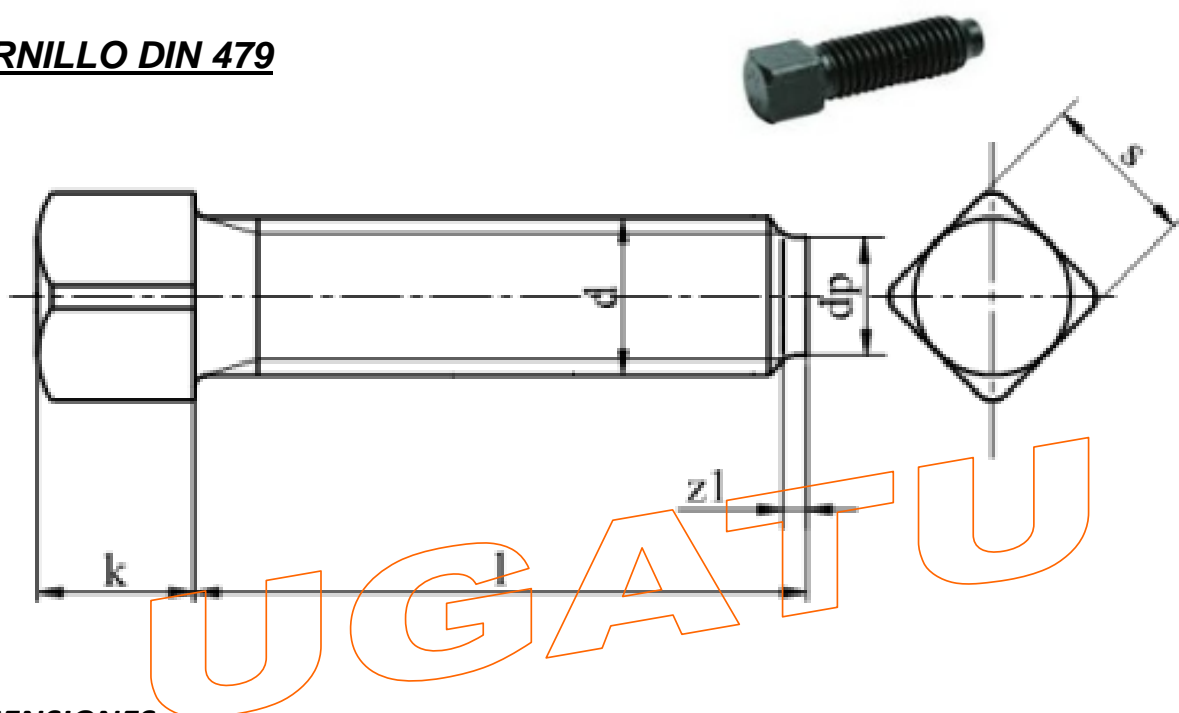


FICHA TÉCNICA

TORNILLO DIN 479



DIMENSIONES

<i>d</i>	M5	M6	M8	M10	M12	M16	M20	M24	
<i>P</i>	0,8	1	1,25	1,5	1,75	2	2,5	3	
<i>d_p</i>	3,5	4	5,5	7	8,5	12	15	18	
<i>k</i>	5	6	8	10	12	16	20	22	
<i>S_{nom}</i>	5	6	8	10	13	17	22	24	
<i>z₁</i>	<i>min.</i>	1,25	1,5	2	2,5	3	4	5	6
	<i>max.</i>	1,5	1,75	2,25	2,75	3,25	4,3	5,3	6,3

COINDICIONES TÉCNICAS DE SUMINISTRO



Material		Steel
General requirements	Norma Standard	DIN 267-1
Thread	Tolerance	6g
	Norma Standard	DIN 13-15
Mechanical properties	Property class	5.6, 5.8, 8.8 <i>Other property classes upon agreements</i>
	Norma Standard	DIN ISO 898-1
Tolerances	Product grade	A
	Norma Standard	DIN ISO 4759-1
Surface treatment		<p><i>As processed from 8.8 class blackening (thermal or chemical)</i></p> <p><i>Limits for surface roughness are covered in DIN 267-2</i></p> <p><i>Limits for surface discontinuities are covered in DIN 267-19</i></p> <p><i>Requirements for electroplating are covered in DIN 267-9</i></p> <p><i>Requirements for hot dip galvanized are covered DIN 267-10</i></p>
Acceptability		<i>Acceptance procedure is covered by DIN 267-5</i>

Example designation square head bolt with short dog point, thread M12, nominal length $l = 40$ mm and property class 5.6:

Square head bolts DIN 479 – M 12x40 – 5.6