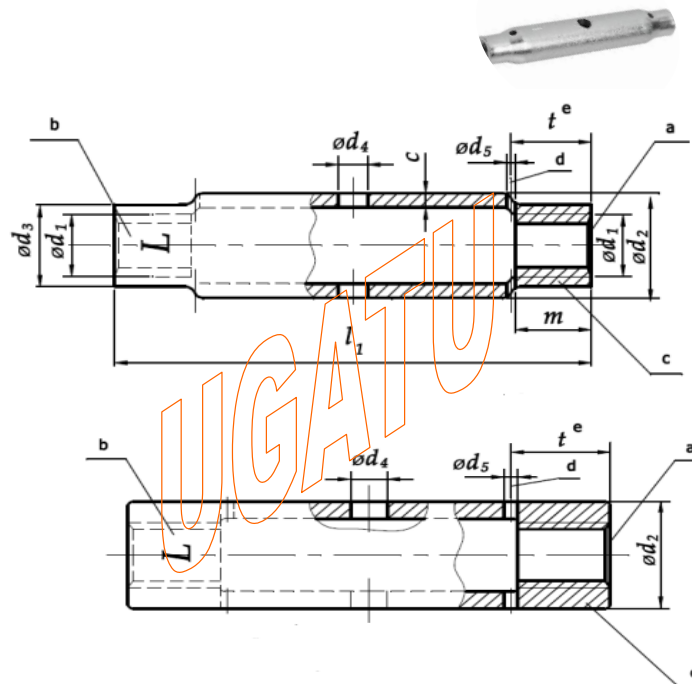


C/ Tellería, 9
20570 Bergara (Gipuzkoa)
Telf: 943-769823 / Fax: 943-769824

FICHA TÉCNICA

TENSOR DIN 1478



DIMENSIONES

| $\varnothing d_1$ | M6 | M8 | M10 | M12 | M16 | M20 | M24 | M30 | M36 | M42 |
|--------------------------------|------|------|------|-----|------|------|------|-----|------|-----|
| $\varnothing d_2 \text{ nom}$ | 17,2 | 17,2 | 21,3 | 25 | 30 | 33,7 | 42,4 | 51 | 63,5 | 70 |
| $\varnothing d_3 \text{ min}$ | 9 | 12 | 15 | 18 | 22,5 | 27 | 32 | 38 | 47,5 | 57 |
| $\varnothing d_4 \text{ nom}$ | 6 | 8 | 8 | 10 | 10 | 12 | 12 | 16 | 16 | 20 |
| $\varnothing d_5 \text{ nom}$ | 4 | 4 | 4 | 4 | 4 | 4 | 4 | 4 | 6 | 6 |
| $c \text{ nom}$ | 2,9 | 3,6 | 4 | 4 | 4,5 | 5 | 5,6 | 6,3 | 8 | 8,8 |
| $l_1 \text{ nom}$ | 110 | 110 | 125 | 125 | 170 | 200 | 255 | 255 | 295 | 330 |
| m | 7,5 | 10 | 12 | 15 | 20 | 24 | 29 | 36 | 43 | 51 |
| $t \approx$ | 9,5 | 12 | 14 | 17 | 22 | 26 | 31 | 38 | 46 | 54 |
| <i>Adjustability</i> \approx | 90 | 85 | 95 | 90 | 120 | 140 | 180 | 160 | 180 | 200 |

| $\varnothing d$ | M48 | M56 | M64 | M72x6 | M80x6 |
|--------------------------------|------|--------------|--------------|--------------|--------------|
| $\varnothing d_2 \text{ nom}$ | 82,5 | 90 | 100 | 110 | 120 |
| $\varnothing d_3 \text{ min}$ | 63 | - | - | - | - |
| $\varnothing d_4 \text{ nom}$ | 20 | 25 | 25 | 30 | 30 |
| $\varnothing d_5 \text{ nom}$ | 6 | 10 | 10 | 10 | 10 |
| $c \text{ nom}$ | 10 | ≈ 15 | ≈ 16 | ≈ 17 | ≈ 18 |
| $l_1 \text{ nom}$ | 355 | 355 | 425 | 425 | 440 |
| m | 58 | 68 | 77 | 87 | 96 |
| $t \approx$ | 61 | 73 | 82 | 92 | 101 |
| <i>Adjustability</i> \approx | 210 | 190 | 240 | 210 | 210 |